

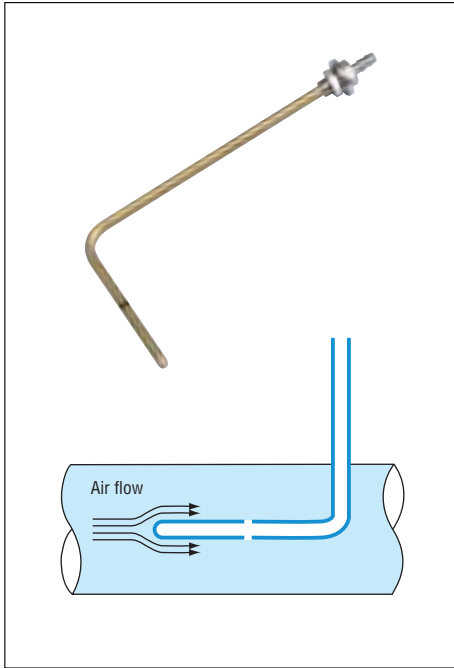
Accessory

Pitot tube RoHS compliant

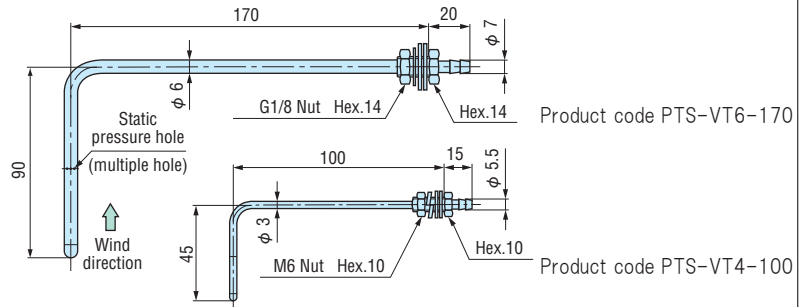
PTS·PTT Common panel cut size

Piping connector type	Port size
-VT6, -MT6	φ 10.5
-VT4	φ 6.5

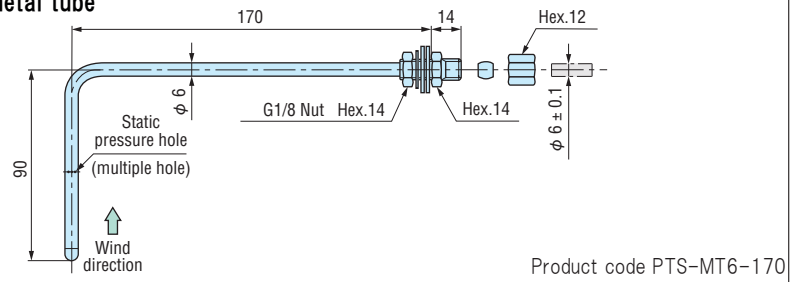
Static pressure tube For measuring static pressure of air volume, velocity and dynamic pressure when air velocity is 1 m / s or more (for example measurement of internal pressure of tube)



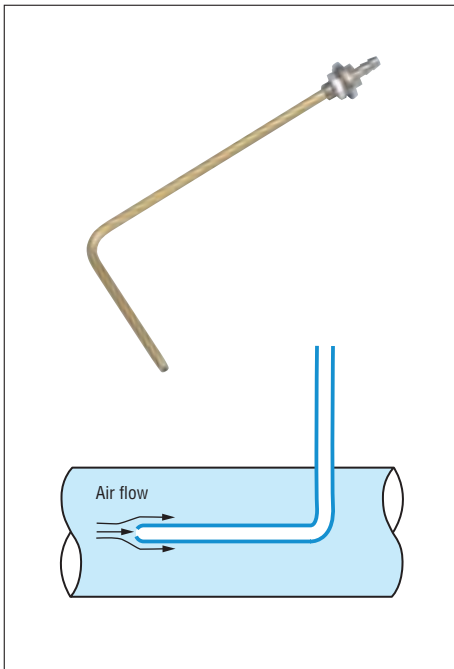
For vinyl or plastic tube



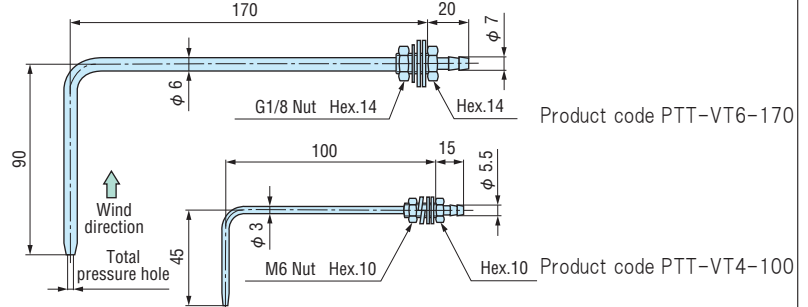
For metal tube



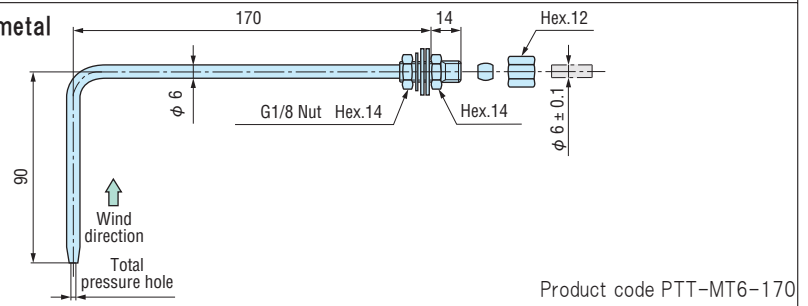
Total pressure tube For measuring total pressure combined with the static pressure tube as for measuring air volume, velocity and dynamic pressure



For vinyl or plastic tube



For metal tube



Flange set installing pitot tube

Plain washers attached with pitot tube

Toothed lock washer or spring washer with pitot tube

Packing for pitot tube

Four sets of tapping screw (not included in the flange set)

Flange

Flange packing

Four set of prepared hole for tapping screw

φ 34 ± 0.3

φ 24 (Hole)

Panel cut size

Content of flange set

Name	Material	Quantity
Flange	SPCC t1.6	1
Flange packing	NBR t1	1
Packing for pitot tube	NBR t1	1

Product code	Applicable pitot tube
PTF-6	PTK-VT6
	PTK-MT6
	PTS-VT6
	PTS-MT6
	PTT-VT6
PTF-4	PTK-VT4
	PTS-VT4
	PTT-VT4

* Because of quality improvement or any reason, some specifications are possibility of changing without notice.

- WO81
- WO70
- FR51A
- MS30
- MS61A
- MS65
- EB3C
- EMD8
- EMD7
- EMT6
- EMT1
- EMTGP1
- EMT1H
- EMP5
- EMA3
- EMRT1
- HWS15
- Combination of Manosys
- Accessories
- Application Cautions for use Maintenance

Product Warranty

Warranty Period

This product warranty is valid for one year from the date of delivery to a place specified by an ordering party who has transacted directly with Yamamoto Electric Works Co., Ltd.

Coverage

If a product breaks down due to a reason for which we are responsible during the warranty period and you return the product to us, we will either repair or replace the product free of charge.

This warranty does not cover:

- (1) Usage of the product under any inappropriate conditions or environment contrary to what is described in our product catalog, specifications or manual.
Handling or usage of the product other than as described in our product catalog, specifications or manual.
- (2) Breakdown due to a reason other than a fault within our product.
- (3) Any product that has been modified or repaired by a party other than us.
- (4) Any breakdown due to a reason that was not foreseeable based on scientific and technical standards applied at the time of shipment.
- (5) Any breakdown due to a reason not attributable to us such as a natural calamity or other disaster.

These terms of warranty represent our entire liability with respect to the product, and we shall have no liability for any other loss arising in connection with a breakdown of the product.

*This product warranty is only valid within Japan.

This document is a translation from the original Japanese version, and the original Japanese version has priority over this translation.

Be sure to refer to the original Japanese for the details of this warranty.



Caution

The Japanese original document shall always take precedence over the translated versions.

You should be sure to refer to the Japanese original document.

Sole Agent  **Manostar CO.,LTD.**

1-2-3, Nishishiriike-cho, Nagata-ku, Kobe,
Hyogo 653-0031 JAPAN
TEL. +81 (78) 621-7000 FAX. +81 (78) 621-7788

Manufacturer

 **Yamamoto Electric Works Co., Ltd.**

1-2-3, Nishishiriike-cho, Nagata-ku, Kobe,
Hyogo 653-0031 JAPAN
TEL. +81 (78) 631-6000 FAX. +81 (78) 631-6020