

# Manostar Electronic Micro Differential Pressure Measurement System

- WO81
- WO70
- FR51A
- MS30
- MS61A
- MS65
- EB3C
- EMD8
- EMD7
- EMT6
- EMT1
- EMTGP1
- EMT1H
- EMP5
- EMA3
- EMRT1
- HWS15**
- Combination of Manosys
- Accessories
- Application Cautions for use Maintenance

## DC Power Supply Equipment HWS15

RoHS compliant



HWS15 is used as DC power supply for two wires method of DC type pressure transmitter from 4 to 20 mA.



HWS15

### Product code

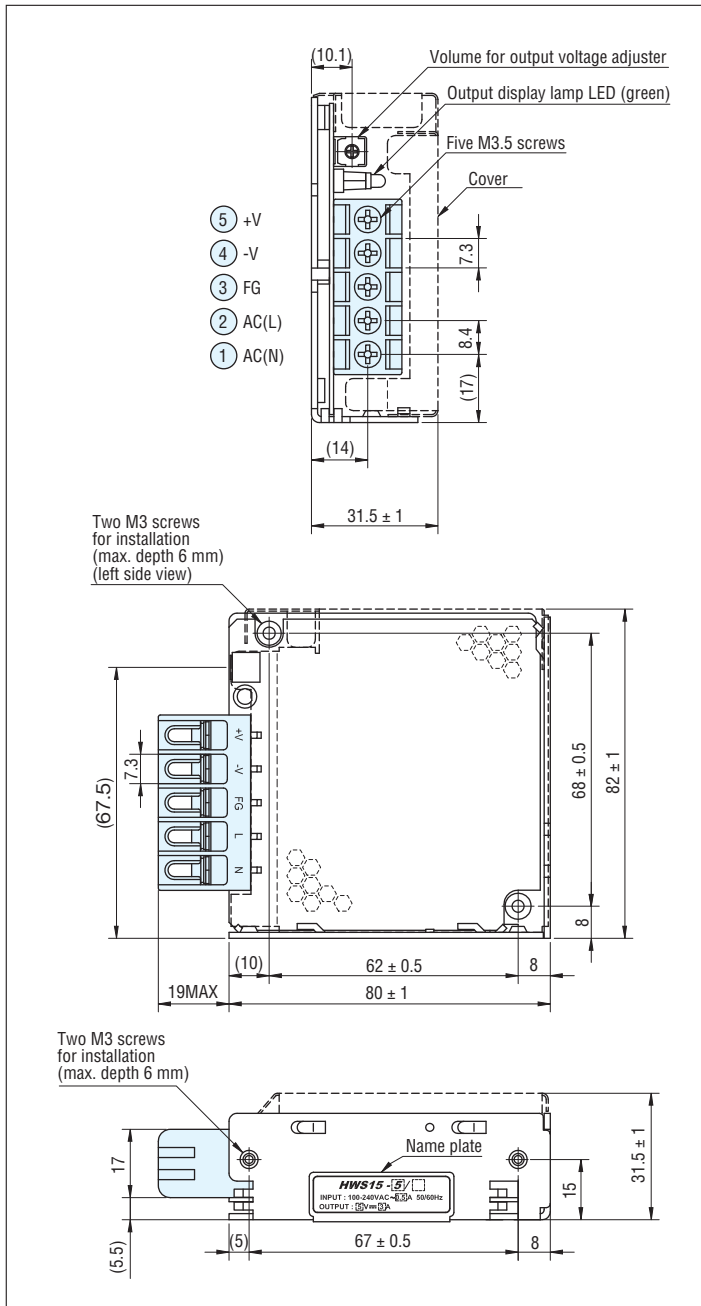
HWS 15 - 241 / A

- ◆If you order or ask, please tell us the specify product code.
- ◆DC power supply equipment "HWS15" is produced by TDK-Lambda Co., Ltd.

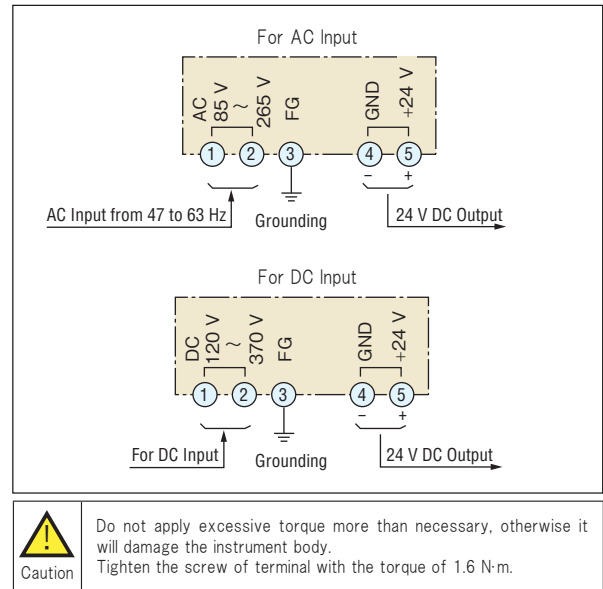
## Specification

Type	HWS15-24/A
Input voltages	85 to 265 V AC (47 to 63 Hz) or 120 to 370 V DC
Output voltage	24 V DC
Max. output current	0.65 A
Output against temperature coefficient	0.02 % / °C or less
Over current protection	From 0.68 A
Medium and ambient temperature	- 10 to + 60 °C (- 10 to + 40 °C: 100 %, - 10 to + 50 °C: 60 %, - 10 to + 60 °C: 20 %)
Ambient humidity	30 to 90 % RH (no dewing)
Withstand voltage	Between input and FG 2 kV AC (20 mA) for one minute Between input and output 3 kV AC (20 mA) for one minute Between output and FG 500 V AC (100 mA) for one minute
Insulation resistance	100 MΩ or more (Between output and FG : 500 V DC , 25 °C , 70 % RH)
Mass	Approximately 210 g

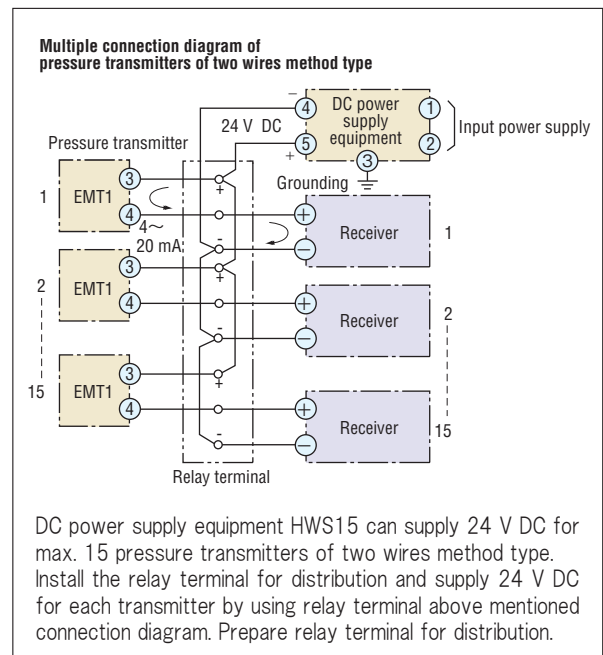
## Outline drawing



## Terminal connection diagram



## For multiple connections of pressure transmitters



- WO81
- WO70
- FR51A
- MS30
- MS61A
- MS65
- EB3C
- EMD8
- EMD7
- EMT6
- EMT1
- EMTGPI
- EMT1H
- EMP5
- EMA3
- EMRT1
- HWS15**
- Combination of Manosys
- Accessories
- Application Cautions for use Maintenance

## Product Warranty

### Warranty Period

This product warranty is valid for one year from the date of delivery to a place specified by an ordering party who has transacted directly with Yamamoto Electric Works Co., Ltd.

### Coverage

If a product breaks down due to a reason for which we are responsible during the warranty period and you return the product to us, we will either repair or replace the product free of charge.

This warranty does not cover:

- (1) Usage of the product under any inappropriate conditions or environment contrary to what is described in our product catalog, specifications or manual.  
Handling or usage of the product other than as described in our product catalog, specifications or manual.
- (2) Breakdown due to a reason other than a fault within our product.
- (3) Any product that has been modified or repaired by a party other than us.
- (4) Any breakdown due to a reason that was not foreseeable based on scientific and technical standards applied at the time of shipment.
- (5) Any breakdown due to a reason not attributable to us such as a natural calamity or other disaster.

These terms of warranty represent our entire liability with respect to the product, and we shall have no liability for any other loss arising in connection with a breakdown of the product.

\*This product warranty is only valid within Japan.

This document is a translation from the original Japanese version, and the original Japanese version has priority over this translation.

Be sure to refer to the original Japanese for the details of this warranty.



Caution

The Japanese original document shall always take precedence over the translated versions.

You should be sure to refer to the Japanese original document.

Sole Agent  **Manostar CO.,LTD.**

1-2-3, Nishishiriike-cho, Nagata-ku, Kobe,  
Hyogo 653-0031 JAPAN  
TEL. +81 (78) 621-7000 FAX. +81 (78) 621-7788

Manufacturer

 **Yamamoto Electric Works Co., Ltd.**

1-2-3, Nishishiriike-cho, Nagata-ku, Kobe,  
Hyogo 653-0031 JAPAN  
TEL. +81 (78) 631-6000 FAX. +81 (78) 631-6020